

For reference only. See data sheet for the detailed specifications.

Technical Specification

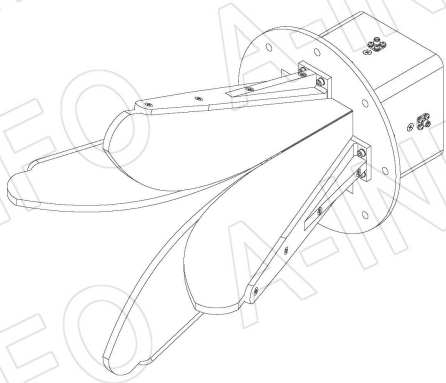
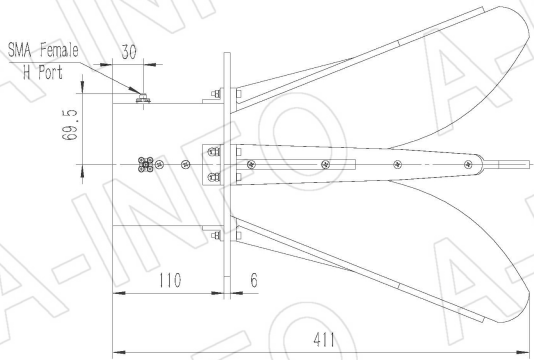
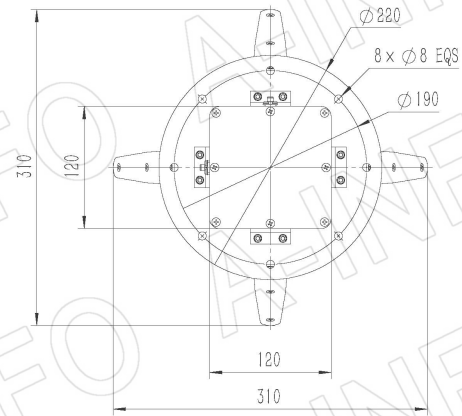
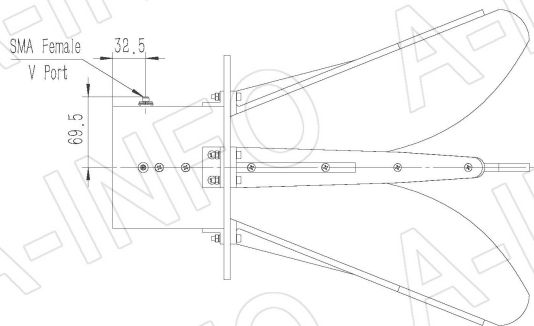


Frequency Range(GHz)	0.7 – 10.0
Gain(dBi)	11 Typ.
Polarization	Dual Linear
3dB Beamwidth(deg)	E Plane: 127 - 13
	H Plane: 155 - 18
Cross Pol. Isolation(dB)	30 Typ. ; 18 Min.
Port to Port Isolation(dB)	35 Typ. ; 20 Min.
VSWR	2.0:1 Typ.
Output	SMA-Female or N-Female
Power Handling(W CW)	SMA-Female: 50 Max.
	N-Female: 50 Max.
Material	Al
Finish	Chemical Conversion Coating and Nickel Plated
Size(mm)	310 x 310 x 412
Net Weight(Kg)	5.0 Around

Outline Drawing (Size: mm)

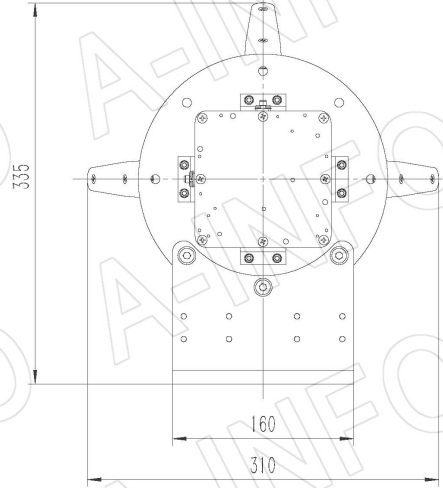
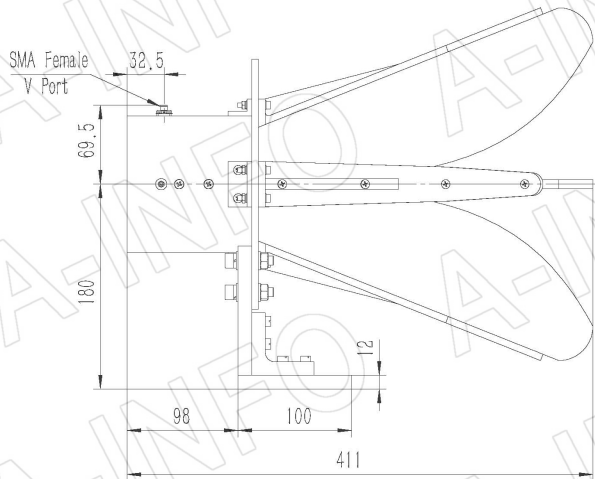
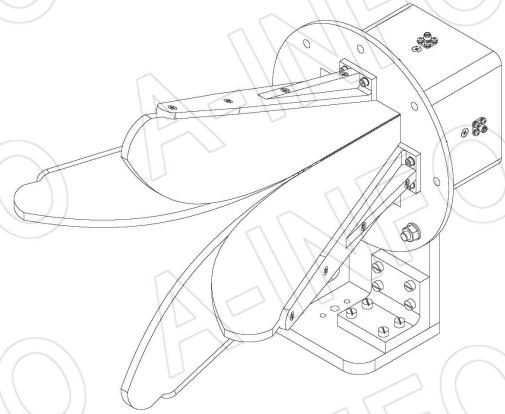
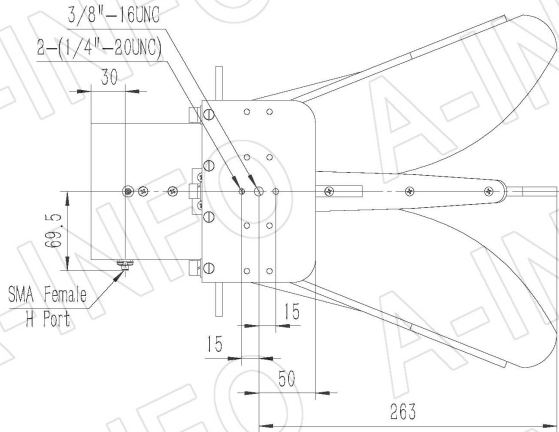
SMA-Female Output (P/N: LB-OSJ-07100-SF)

For N-Female output outline drawing, please contact A-INFO.



SMA-Female Output with L Type Mounting Bracket (Option, P/N: LB-OSJ-0760-L)

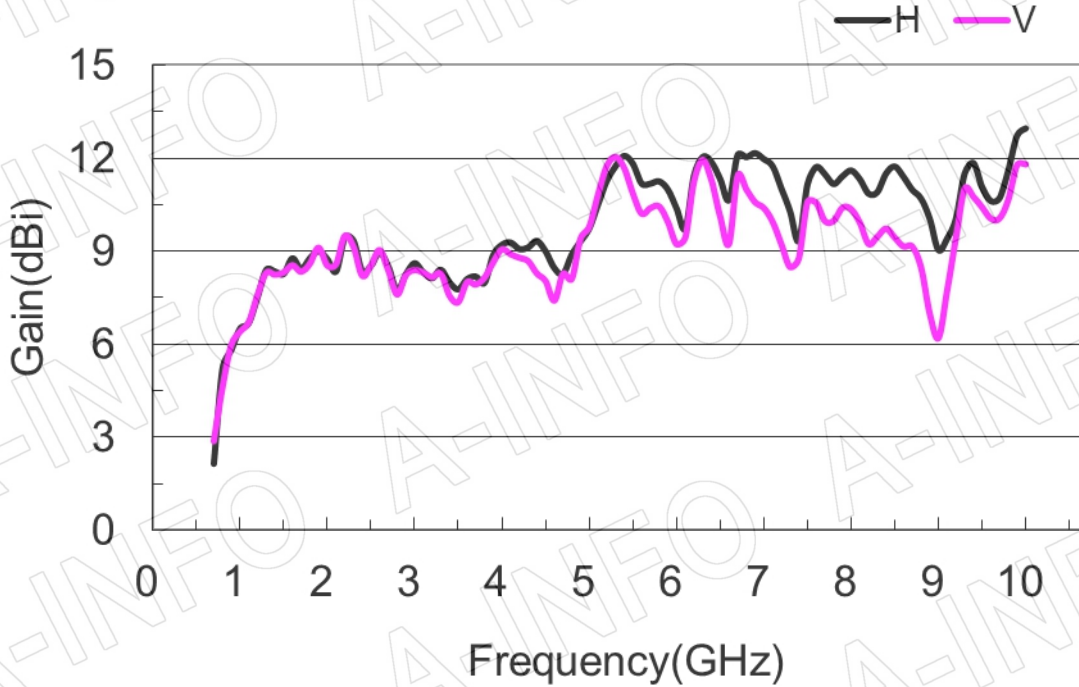
For N-Female output outline drawing, please contact A-INFO.



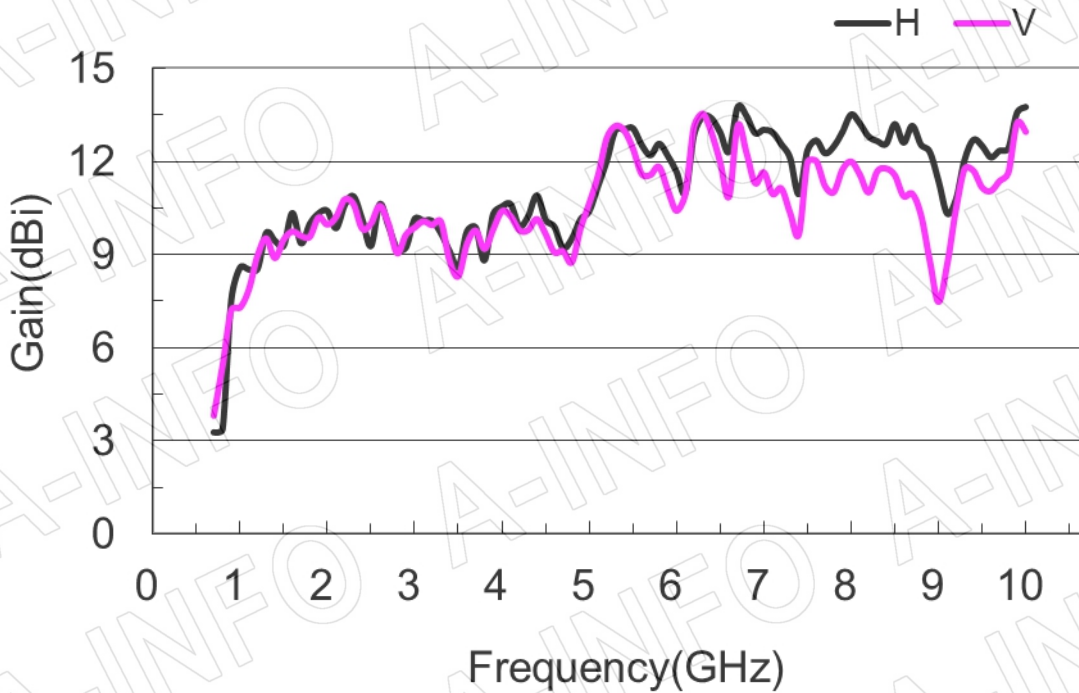
Test Results

1. Gain

Gain at 1 m

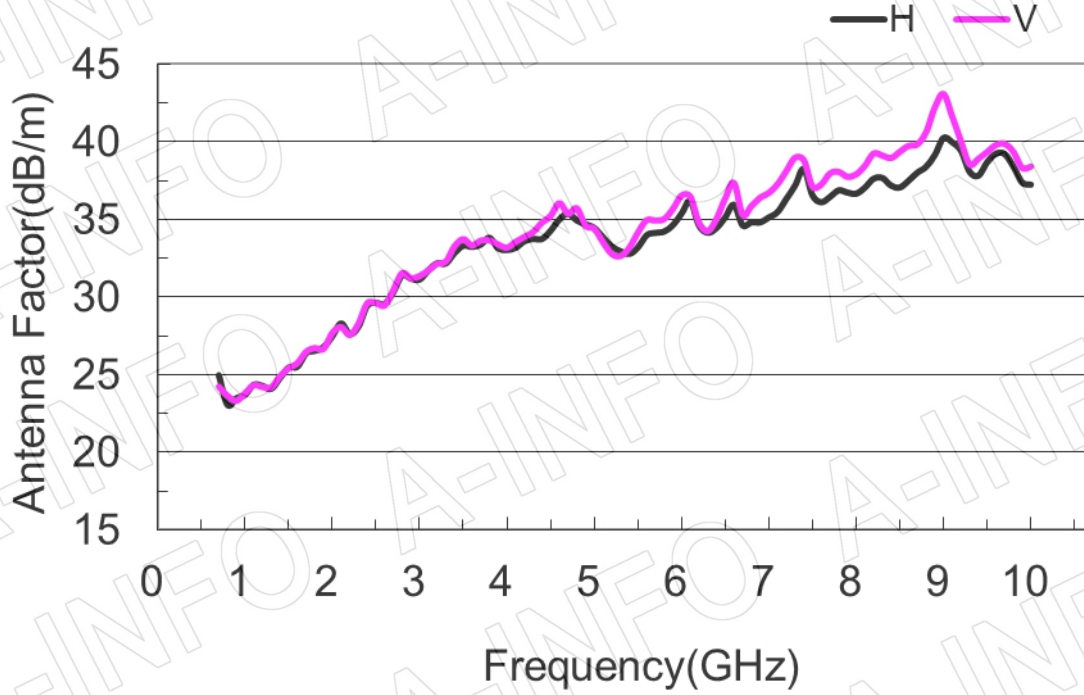


Gain at 3 m

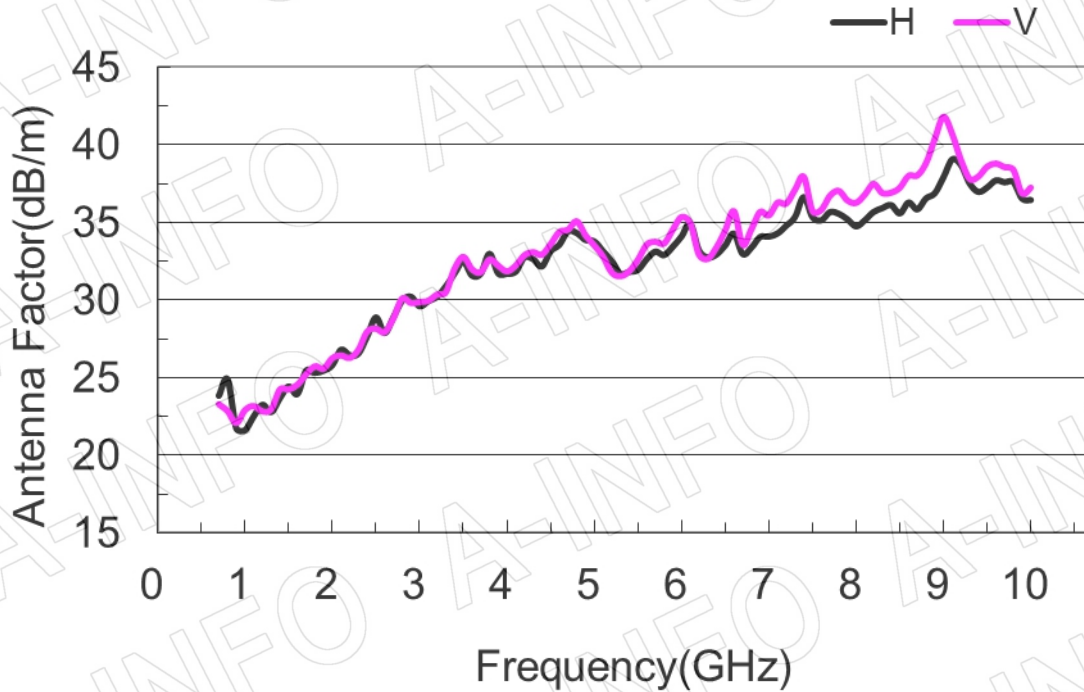


2. Antenna Factor

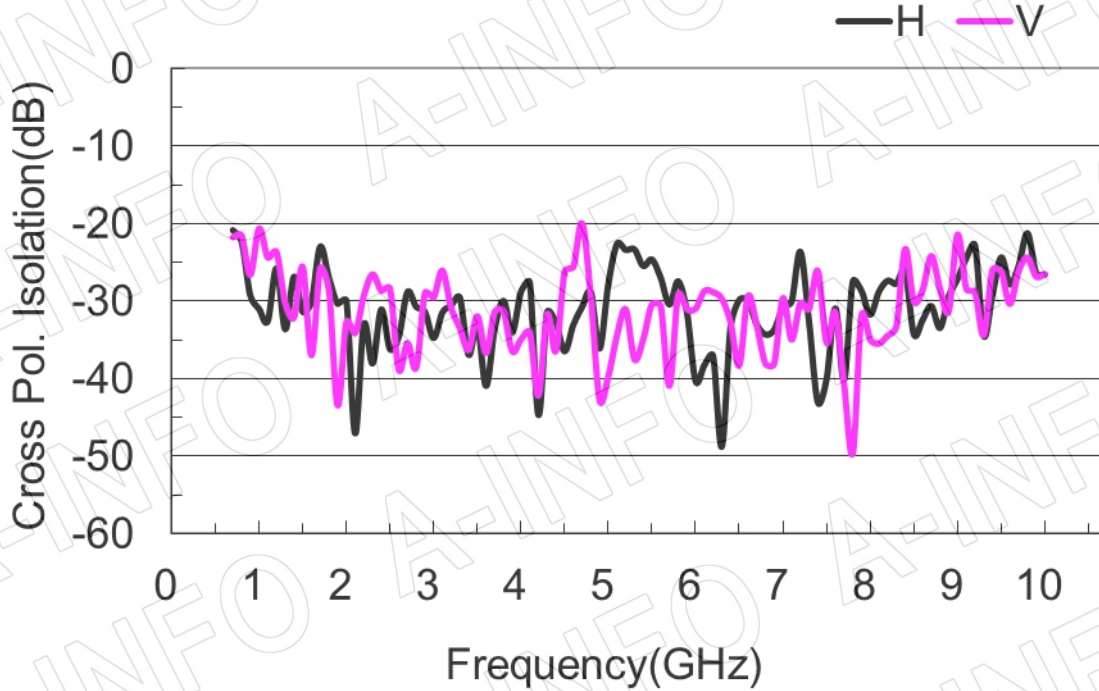
AF at 1 m



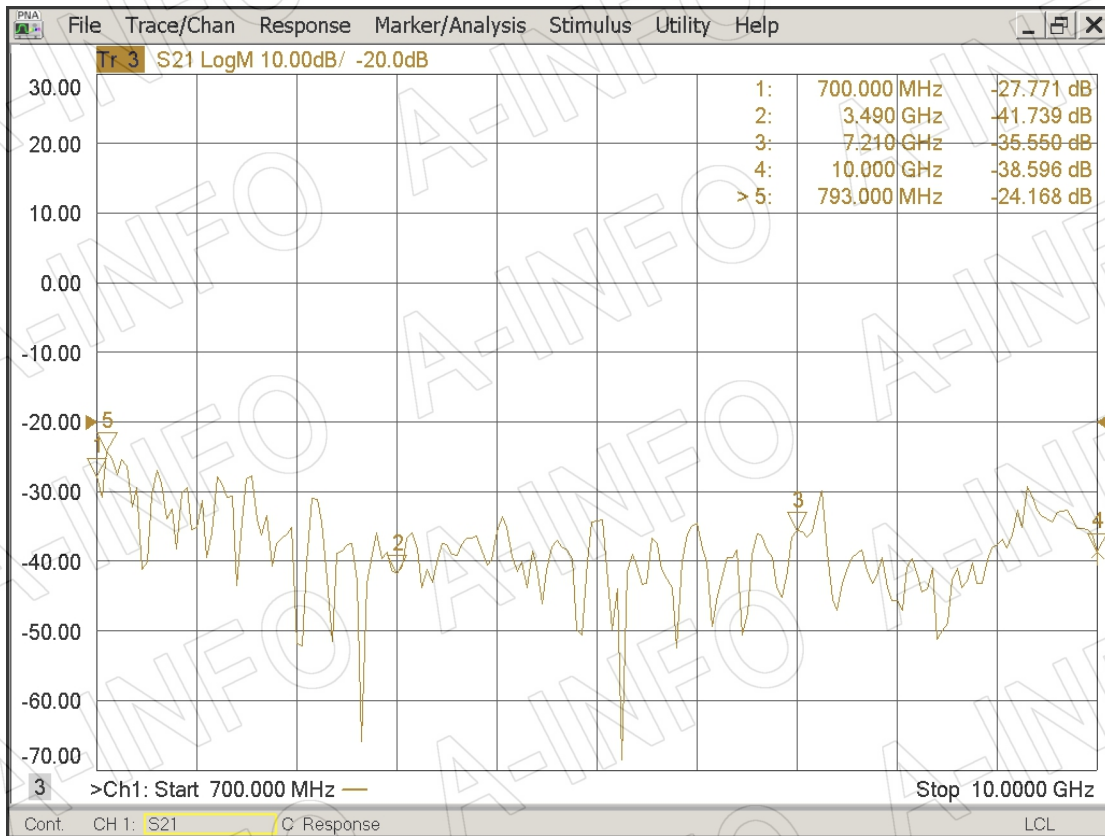
AF at 3 m



3. Cross Polarization Isolation

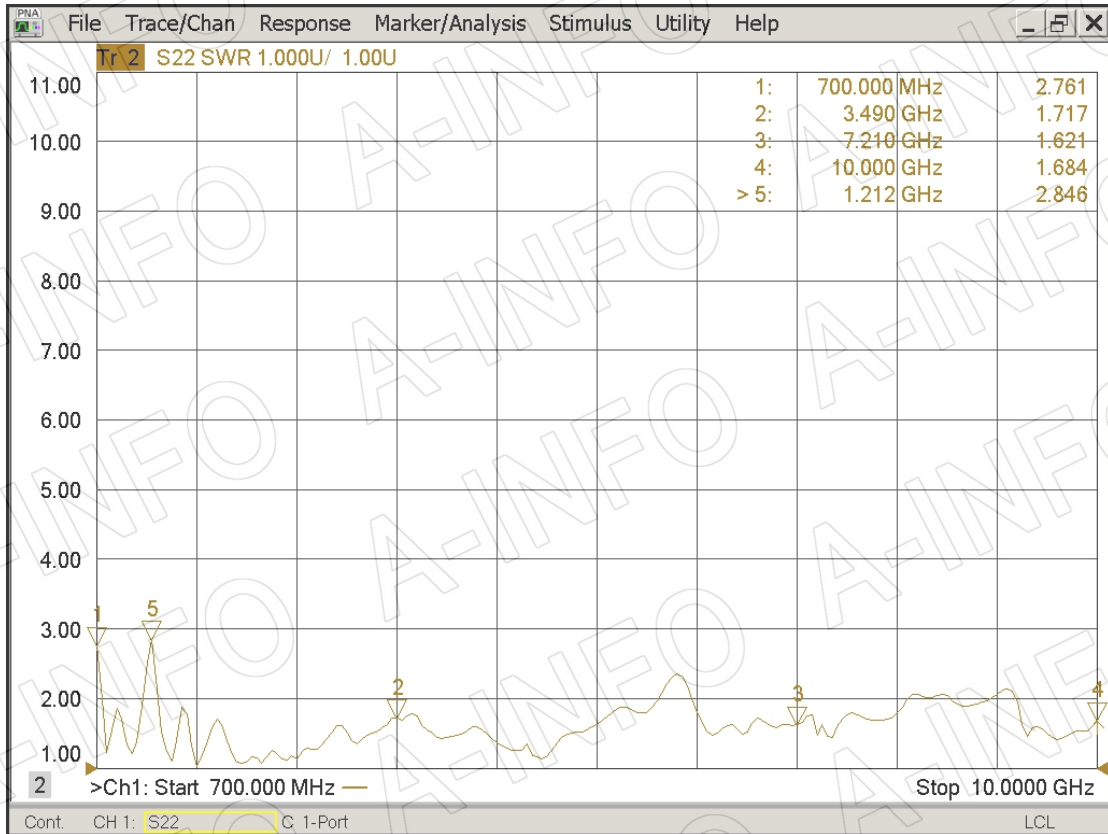


4. Port to Port Isolation

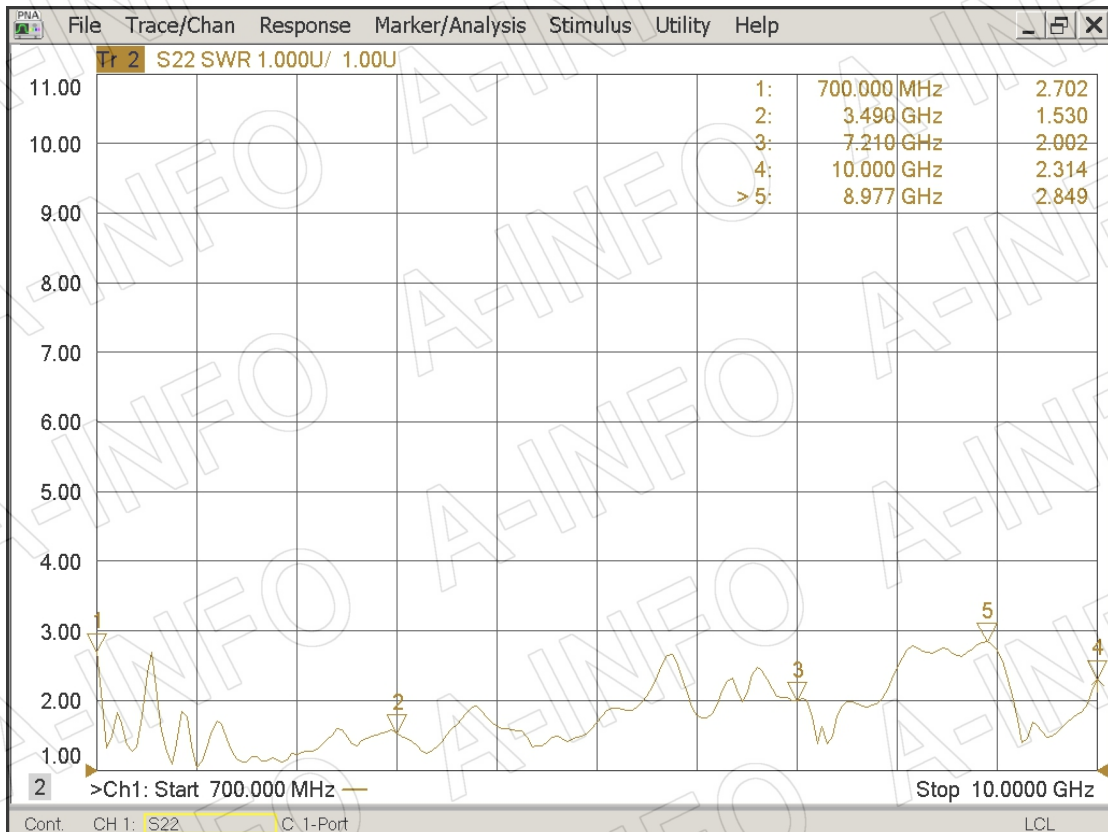


5. VSWR

Port-H



Port-V



6. Pattern

